

# Angular Contact Ball Bearings

Bearing No. : **NACHI 7212CDF**

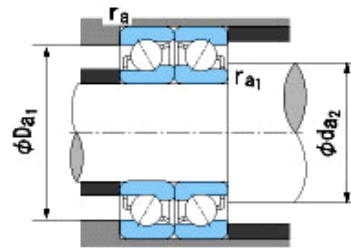
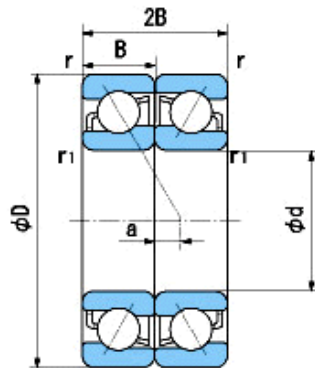
■ Bearing Type

■ Clearance

■ Tolerance Class

### Dimensions

d = 60  $\begin{matrix} 0 \\ -0.015 \end{matrix}$   
 D = 110  $\begin{matrix} 0 \\ -0.015 \end{matrix}$   
 B = 22  $\begin{matrix} 0 \\ 0.000 \end{matrix}$   
 r = 1.5~2.3  
 (Radial Direction)  
 r = 1.5~4  
 (Axial Direction)  
 r1 = 1~1.9  
 (Radial Direction)  
 r1 = 1~3  
 (Axial Direction)  
 a = -1.2



### Dimensions

da1(min) = 69  
 da2(min) = 69  
 Da1(max) = 101  
 Da2(max) = 104.6  
 ra(max) = 1.5  
 ra1(max) = 1  
 Mass = 1.64 kg

Basic Dynamic Load Rating Cr :	<b>105,000</b> N
Basic Static Load Rating Cor :	<b>98,500</b> N
Limiting Speed ;	
Grease Lubrication :	<b>7,500</b> min <sup>-1</sup>
Oil Lubrication :	<b>10,000</b> min <sup>-1</sup>

	INNER RING	OUTER RING
O.D.Surface Runout with Side :		-
Axial Runout with Bore :	-	
Axial Runout with Raceway :	-	
Width Variation :	<b>0.025</b>	<b>0.025</b>
Radial Runout :	<b>0.020</b>	<b>0.035</b>